

Magiklite Series



5W RGB LED SPOTLIGHT



5W RGB LED BULB

• FEATURES

1. 5W High Brightness RGB LED Lamp

2. IR & MUSIC Controllable

3. Synchronous mode

4. Life span 30,000 hour

5. Light Output (25cm):

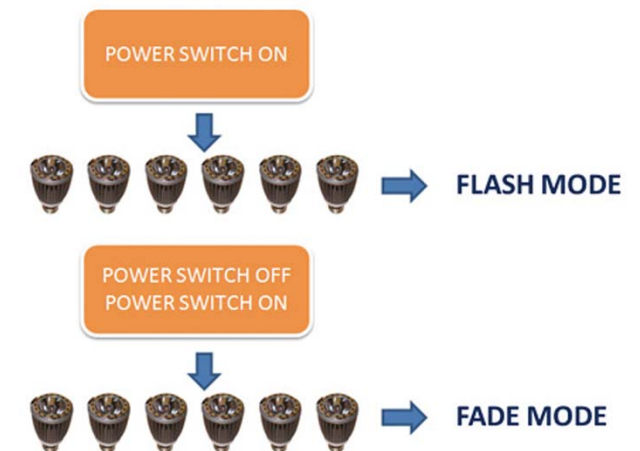
RED @ 30Lm

GREEN @ 60 Lm

BULE @ 12 Lm



SYNCHRONOUS MODE



• **BENEFITS**

1. Low electricity costs to user

2. Low Temperature - safety

3. Easy to achieve fantastic effects

4. Direct replacement for easy installation

5. Changes whole colour schemes at the press of a button



• APPLICATIONS

1. Hotels, bars, restaurants, commercial and residential

2. Party Rooms and multi-use rooms

3. Any installation where easy-to-control coloured lighting





Button	Function
	Turn on the lamp
	Turn off the lamp
	<ol style="list-style-type: none"> Increase the brightness of single color Increase the speed of FLASH · FADE mode
	<ol style="list-style-type: none"> Decrease the brightness of single color Decrease the speed of FLASH · FADE mode
Color Button	Manually change all 16 colors
	<p>Press FLASH Button (Original speed) This Bulb will be displayed in flash function Every Bulb will start from the RED light</p> <p>Press UP Button (High speed) Press DOWN Button (Low speed)</p>
	<p>Press FADE Button (Original speed) This Bulb will be displayed in A different mixed color Every Bulb will start from the White light</p> <p>Press UP Button (High speed) Press DOWN Button (Low speed)</p>
	<p>Press Button The light of this Bulb will jump according to the BEAT of the music (>70 dB) . NO MUSIC = NO LIGHT!!</p>
	<p>Select any color button, press Button , the color light is jumping with the music(>70 dB) . NO MUSIC = NO LIGHT!! Note: If you want to change color, repeat the procedure.</p>

NOTE:

This RGB LAMP will be SYNCHRONOUS by POWER SWITCH ON/OFF . Two modes : FLASH and FADE mode

• SPECIFICATIONS

<i>Character</i> Bulb Type	MR16	E27 GU10 E14
<i>Power Supply Voltage (Typ.)</i>	10-18 VAC/VDC	100 VAC - 240 VAC
<i>Power Voltage (Max.)</i>	20 VAC/VDC	250 VAC
<i>Input Frequency</i>	AC 20-40 KHz	AC 47 - 60 Hz
<i>Power Consumption</i>	5W	



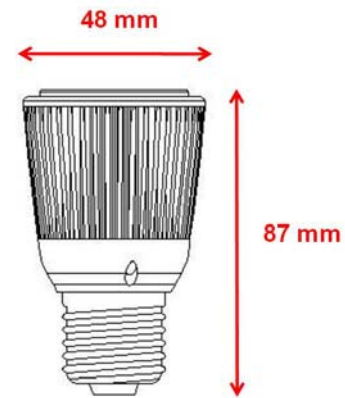
GU10



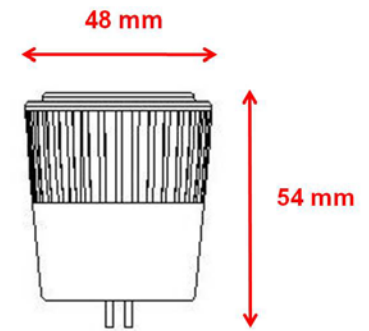
E14



E27



MR16

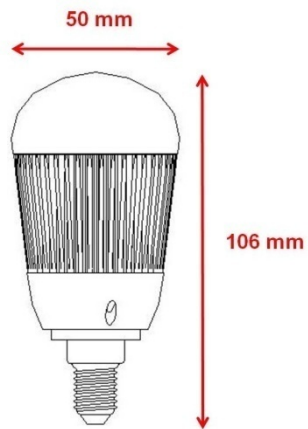




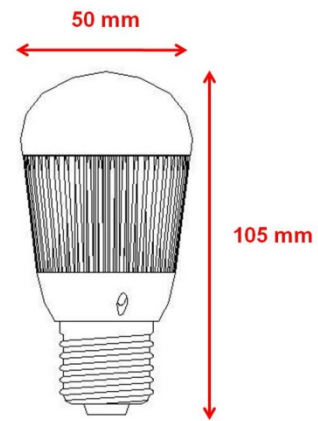
GU10



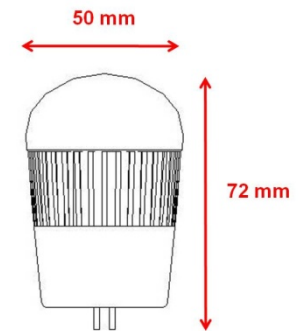
E14



E27



MR16



COMPONENT	TYPE
Al Cup	6061
Lens frame	PMMA
LED light source	RGB Led Chip
Light base	Al substrate
Mask	PC
Connect base	E27, GU10, E14, MR16